

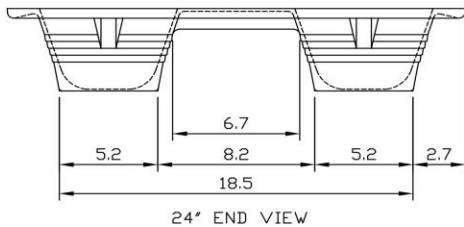
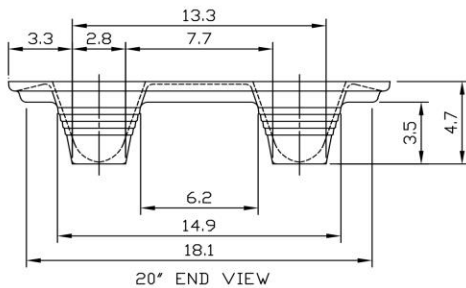
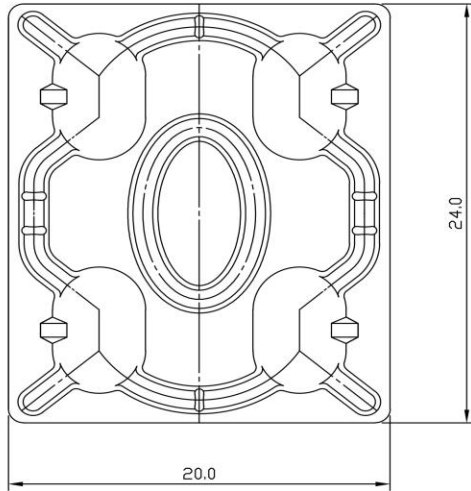


# TECHNICAL DATA SHEET

## 20" x 24"

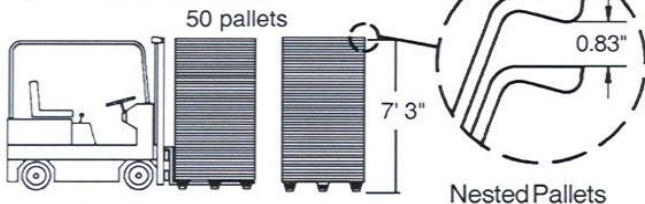
(508.00 mm x 609.60 mm)

### PRESSWOOD PALLET



RIBBING DESIGN ON THE PALLET DECK MAY DIFFER FROM THAT SHOWN

All dimensions in inches



#### Manufacturing & Composition

Inca Pallets are molded in one solid piece from dried wood fibers and environmentally safe synthetic resin in a compression mold under high pressure and temperature.

#### Low Moisture Content

Only 6 - 8% moisture content, no moisture transmission to product or packaging load on the pallet.

#### Approximate Surface Area

Top Deck: 246 sq. inches (51% Deck Coverage)  
Footprint: 50 sq. inches

#### Approximate Dynamic Load Capacity\*

WEIGHT	CAPACITY
Standard	750 lbs.

\*Load uniformly distributed on pallet deck. Actual load capacity is application specific & dependent upon the product, packaging, load containment & handling environment. The testing of Inca pallets with the intended application is strongly recommended.

#### 4 Way Entry

4-way entry with lift truck. 4-way entry with pallet jack.

#### Nestability

A stack of 50 Inca Pallets nest approximately 7' high. For each additional pallet, add 2" to height of stack.

#### Rounded Corners & Tapered Legs

Pallets have all rounded corners and tapered legs which make them ideal for stretch or shrink wrapping.

#### Design for Safety

Because Inca Pallets weigh up to 50% less than conventional hardwood pallets, they are safer and easier to handle. And, there are no nails or splinters to damage product or injure personnel.

#### Full Truckload Capacity

Quantities vary with pallet size and weight per truckload, typically:

WEIGHT	TRUCKLOAD	LBS./PALLET
Standard	4,200	10 (+/- 1)

#### Export Approved!

Save money, time & costly delays. Inca presswood pallets are welcome worldwide. They are considered "processed wood" per ISPM 15 export wooden packaging regulations. No extra, costly treatment against infestation is required!



*Carry on.*

### CONTACT US:

Phone: 330-539-5433

Fax: 330-539-5388

P.O. Box 150 • One Litco Dr.

Vienna, Ohio 44473

[www.Litco.com](http://www.Litco.com)

[info@Litco.com](mailto:info@Litco.com)