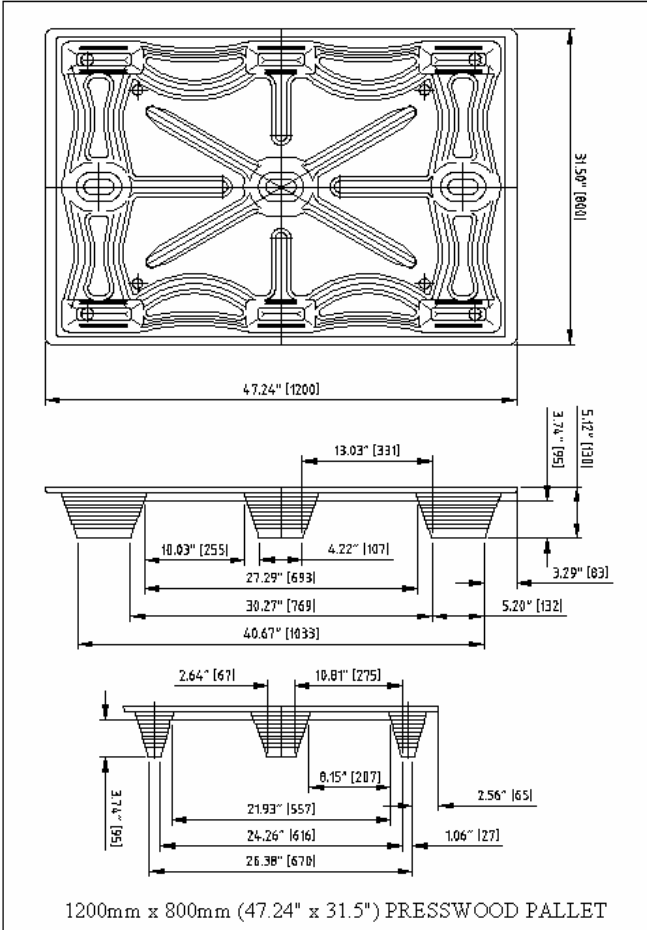




# TECHNICAL DATA SHEET

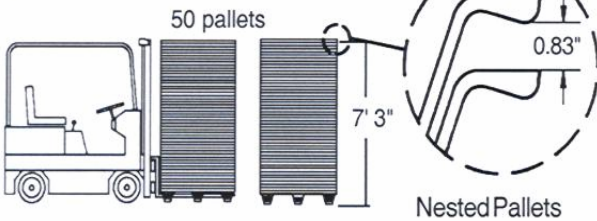
## 1200.00 mm x 800.00 mm (47.24" x 31.5")

### PRESSWOOD PALLET



\* RIBBING DESIGN ON THE PALLET DECK MAY DIFFER FROM THAT SHOWN

All dimensions in inches



Manufactured according to the **werzalit** process.

#### Manufacturing & Composition

Inca Pallets are molded in one solid piece from dried wood fibers and environmentally safe synthetic resin in a compression mold under high pressure and temperature.

#### Low Moisture Content

Only 6 - 8% moisture content, no moisture transmission to product or packaging load on the pallet.

#### Approximate Surface Area

Top Deck: 765 sq. inches  
Footprint: 76 sq. inches

#### Approximate Dynamic Load Capacity\*

WEIGHT	CAPACITY	COLOR CODE	PAINTED STRIPE
Heavy	2000 lbs.	Red	

\*Load uniformly distributed on pallet deck. Actual load capacity is application specific & dependant upon the product, packaging, load containment & handling environment. The testing of Inca pallets with the intended application is strongly recommended.

#### 4 Way & 2 Way Entry

4-way entry with lift truck. 2-way entry with pallet jack.

#### Nestability

A stack of 50 Inca Pallets nest approximately 7' high. For each additional pallet, add 2" to height of stack.

#### Rounded Corners & Tapered Legs

Pallets have all rounded corners and tapered legs which make them ideal for stretch or shrink wrapping.

#### Design for Safety

Because Inca Pallets weigh up to 50% less than conventional hardwood pallets, they are safer and easier to handle. And, there are no nails or splinters to damage product or injure personnel.

#### Full Truckload Capacity

Quantities vary with pallet size and weight per truckload, typically:

WEIGHT	TRUCKLOAD	LBS./PALLET
Heavy	1,200	26 (+/- 1.5)

#### Export Approved!

Save money, time & costly delays. Inca presswood pallets are welcome worldwide. They are considered "processed wood" per ISPM 15 export wooden packaging regulations. No extra, costly treatment against infestation is required!



**LITCO INTERNATIONAL INC.**

Molded Products Group | P.O. BOX 150, ONE LITCO DR., VIENNA, OH 44473

Fax 330-539-5388 | [info@litco.com](mailto:info@litco.com)

Phone 330-539-5433 | [www.litco.com](http://www.litco.com)

10/5/06

